

SPECIFICATIONS

Model No.	WLC-13W7K4000
Power	7W
Input Voltage [VAC]	100-220V
Output Voltage [VDC]	32-48VDC
Lumen Output	650lm
Color temperature	3500, 4000, 4500
Beam Angle	120
Dimensions	13.75"W, 7.67"H, 4"D
Weight	See below
CRI [Ra]	80
Power Factor	0.92
Life Time	50,000 hours
Others	N/A
LED	SMD 2835 Epistar
Dimming Type	Non-dimmable
Rated	IP20
Warranty	5 years
Dimmers	Most brands

PRODUCT DESCRIPTION:

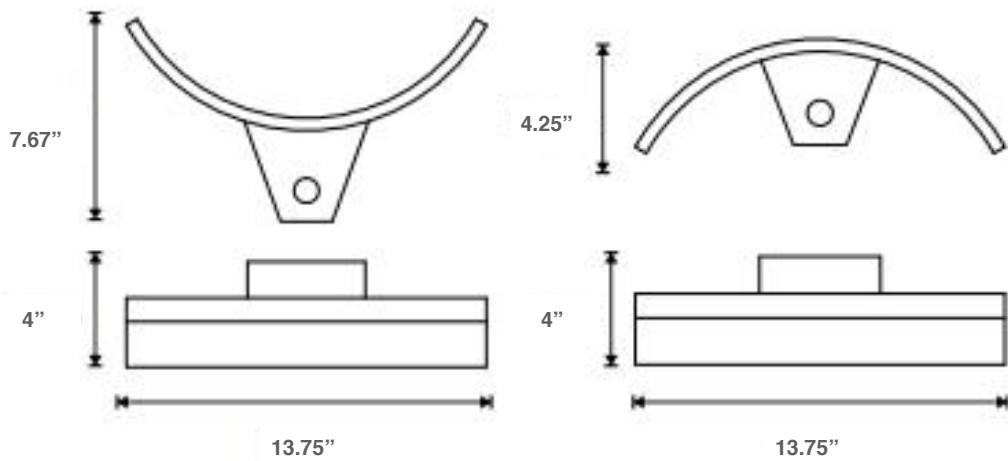
Specially curved Acrylic [curved up or down] wall sconce. The housing as well as the curved area of the fixture go hand in hand to create a contemporary look. This is a commercial grade sconce and is designed to accent the wall and provide soft illumination on the attached wall as well as the floor and ceiling surrounding it.

Luna offers this wall unit in 3 different colors and two formats [curve up or curve down]. Please see the option section to choose the color and features of your choice.



EDGE LIT WALL SCONCE

OPTIONS	DESCRIPTION	LUNA PART NO.
SIZE	13.75"W, 7.67"H, 4"D	WL-13W7K4000S
CCT	3000, 3500, 4000,	K3000, K3500, K4000
FINISHES	Aluminum	AL
	White	WHT
	Black	BK



offered in 3 colors and two formats

STATE OF THE ART WALL SCONCE