

SPECIFICATIONS

Model No.	ELE-2424W27
Power	27W
Input Voltage [VAC]	100-277
Output Voltage [VDC]	32-V48V
Lumen Output	2,810lm @ 4000K
Color temperature	3000-6000
Beam Angle	120
Dimensions	23.80Lx23.80Wx3"H
Weight	8.4lb
CRI [Ra]	80
Power Factor	0.90
Life Time	50,000 hours
Others	N/A
LED	Cree TrueWhite Tech
Sensors	Motion
Dimming Type	0-10
Rated	Damp Location
Warranty	5 years

PRODUCT DESCRIPTION:

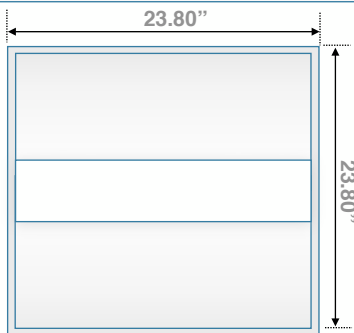
Modern LED Troffer. Low profile, recessed. Designed for standard and thin profile T-Bar. Steel casing, advanced PMMA illumination diffuser, Mid section recessed into ceiling 3" for reflective and glare free illumination. Low wattage, high lumen output, fully dimmable [0-10] technology. Offered in 2x2 and 2x4. Rated for damp location. This is an ideal indoor LED troffer for hospitals, schools, offices and other work space. Damp Rated.

OPTIONS: Motion Sensor

2"X2"



110lm/W



Intertek



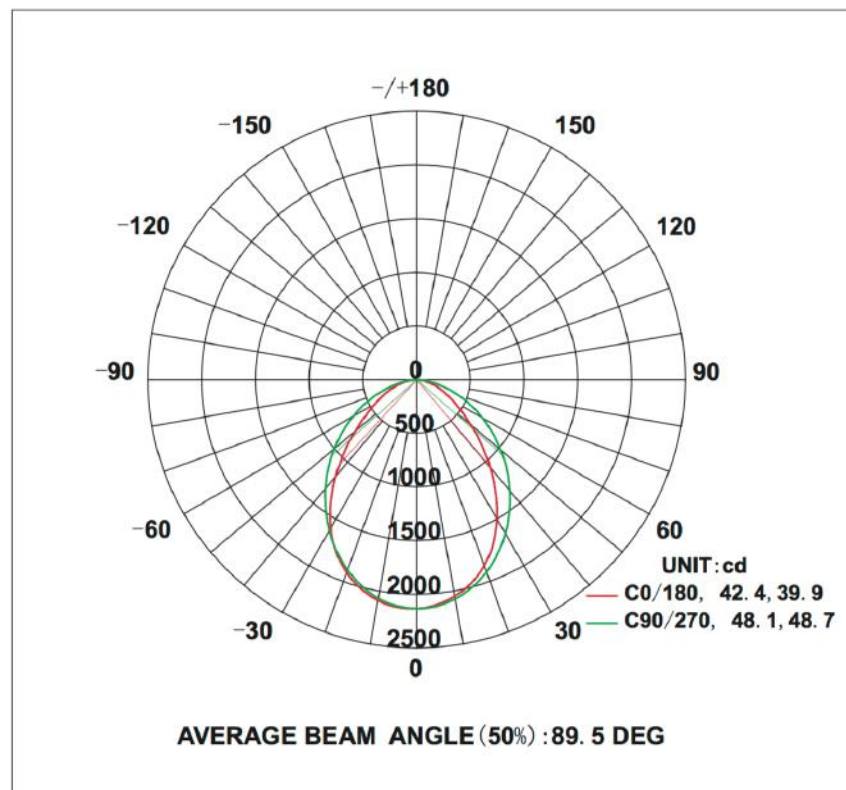
Fits Standard and low profile ceiling T-bar

PHOTOMETRY

Fixture photometry has been conducted accredited testing laboratory in accordance with IESNA LM-79-08. IESNA LM-79-08 specifies the entire luminaire as the source resulting in a fixture efficiency of 100%. Result may vary per actual order.

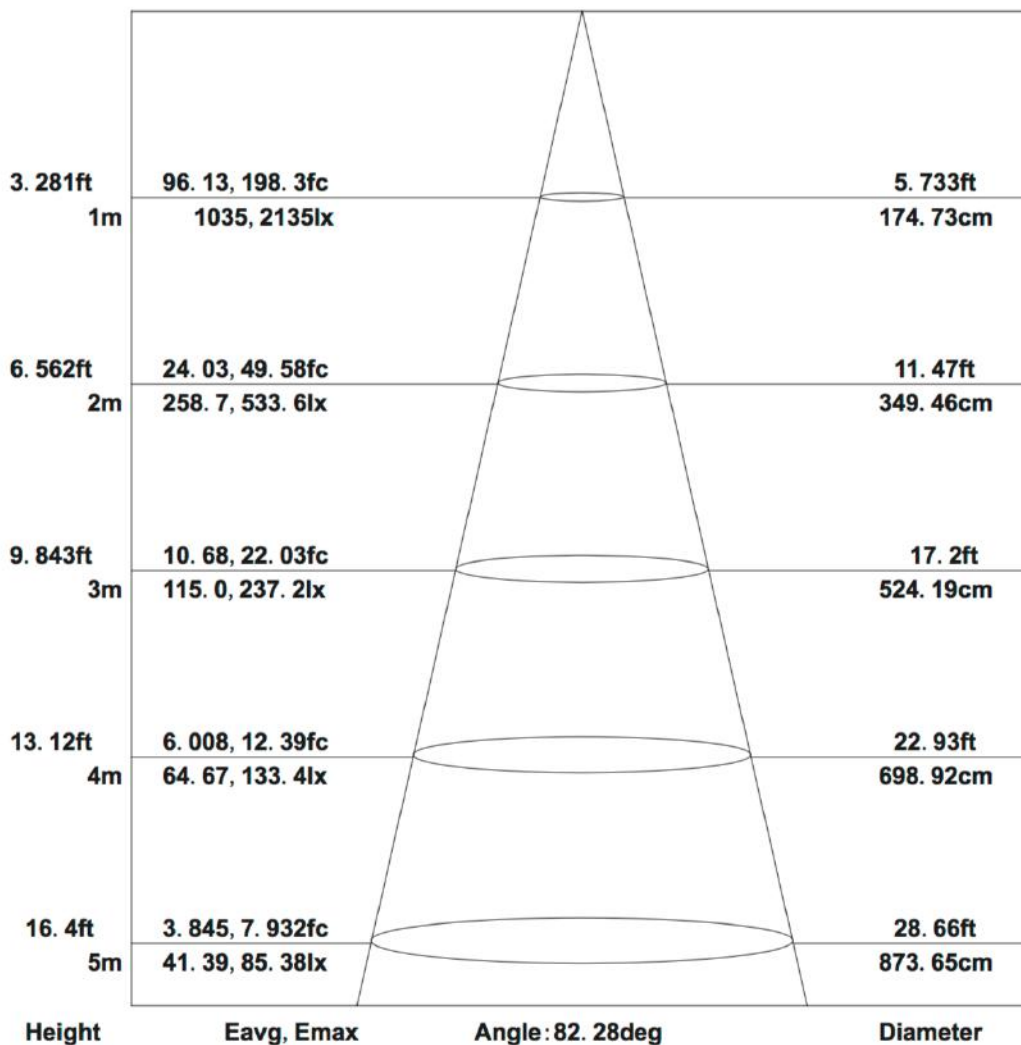
LUMINOUS INTENSITY DISTRIBUTION DIAGRAM

TR22-DM-XXE



AVERAGE ILLUMINANCE CURVE

Flux out: 2635 lm



Note: The Curves indicate the illuminated area and the average illumination when the luminaire is at different distance.

LED TROFFER SERIES

Mod No. ELE-2424W27

ZONAL FLUX DIAGRAM

T	C0	C45	C90	C135	C180	C225	c270	c315
10	2049	2060	2074	2082	2088	2080	2067	2056
20	1842	1881	1905	1915	1912	1906	1885	1867
30	1495	1591	1654	1654	1601	1630	1627	1580
40	1063	1221	1350	1306	1175	1277	1325	1218
50	663.0	841.1	1024	922.9	749.1	892.9	1004	843.1
60	387.1	512.9	700.7	578.3	445.9	552.0	684.5	518.2
70	208.6	253.9	401.3	300.9	251.7	282.4	386.3	254.9
80	63.07	77.62	143.5	104.4	97.58	95.02	131.2	74.11
90	0	0	0.1430	0.7476	1.267	0	0.0546	0
DEG	LUMINOUS INTENSITY:cd							

ZONAL LUMEN SUMMARY

T	φ zone	φ total	%lum. lamp
0-10	200.5	200.5	4.4
10-20	560.7	761.2	16.7
20-30	808.2	1569	34.4
30-40	892.7	2462	54
40-50	813.0	3275	71.8
50-60	628.1	3903	85.6
60-70	410.9	4314	94.6
70-80	202.6	4517	99
80-90	41.70	4558	100
	UNIT:lm		

COEFFICIENTS OF UTILIZATION

ppc	80%			70%			50%			30%			10%			0
	50%	30%	10%	50%	30%	10%	50%	30%	10%	50%	30%	10%	50%	30%	10%	0
pw	20%															0
pfc	20%															0
RCR	RCR:Room Cavity Ratio (CU)															0
0.0	119	119	119	116	116	116	111	111	111	106	106	106	102	102	102	100
1.0	106	102	99	104	100	97	100	97	94	96	93	91	92	90	88	86
2.0	94	88	82	93	86	81	89	85	80	85	81	78	82	79	76	74
3.0	83	76	70	83	75	69	80	75	68	76	71	67	74	69	66	64
4.0	75	67	60	75	66	60	73	66	59	69	63	58	67	62	58	56
5.0	67	59	53	68	58	53	66	59	52	62	56	51	60	55	51	49
6.0	61	53	47	62	52	47	60	54	46	57	51	46	55	50	45	43
7.0	56	48	42	57	47	42	56	49	41	52	46	41	51	45	41	39
8.0	51	43	38	53	43	37	51	45	37	48	42	37	47	41	37	35
9.0	47	39	34	49	39	34	48	41	34	44	38	34	43	38	34	32
10.0	44	36	31	45	36	31	44	38	31	41	35	31	40	35	31	29